



Left: Landscaping application
Top & Above: Angled lip for pronounced beam spread

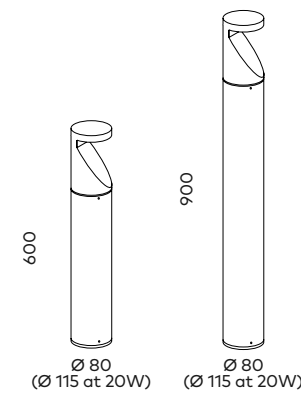
Evio

BOLLARD LIGHT

For a bollard light with an aesthetic form like no other, look no further than the Evio Bollard. A combination of round and angular lines, the construction serves both a functional and design purpose. The wide angled opening creates an inviting spread of light for pathways.

- Available in 7W and 20W configurations to suit both residential and commercial applications
- Available in 600mm and 900mm heights
- Designed to emit a defined arc of light for pathways

One Direction Measurements (mm)



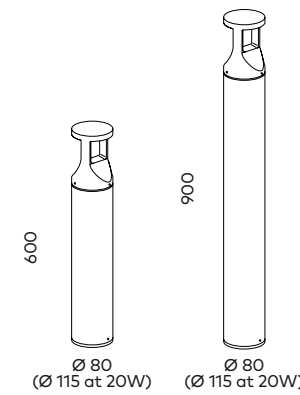
Absolute Luminous Flux

7W (200mA) 470lm
20W (500mA) 1000lm

Beam

40° (M)

Two Direction Measurements (mm)



Absolute Luminous Flux

7W (200mA) 505lm
20W (500mA) 1175lm

Beam

30° (M)

Finishes

UV Textured Black

General Specifications

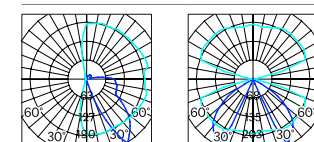
Material | Powder Coated Aluminium

IP | 65

IK | 10

Warranty | 3 Years

Photometrics



$\alpha = 40^\circ$

$\alpha = 30^\circ$



LED

Colour Temp | 3000K

CRI | 80+

Efficacy | Up to 55lm/w

Colour Deviation | SDCM \leq 3

Lifetime | 55,000h L70

Driver

Power Factor | >0.90

240V Built-in Non-Dimmable Driver

Driver can be installed remote up to 15 metres.

Dimming | DALI Dim Optional



A	B	C	D	E	F	Driver (DALI drivers can be configured via Product Toolbox)
EVO	0607	TB	30	M	-	Driver code not required - driver is integrated into luminaire
<p>Example: EVO0607.TB30.M Refer to data sheet for available configurations. Visit Product Toolbox at unios.com/evio to configure compatible Osram/Tridonic DALI drivers.</p>						
Product Family	Size & Power	Finish	CCT	Beam		
Evio Bollard Light (One Direction) Evio Bollard Light (Two Direction)	600mm, 7W 900mm, 7W 600mm, 20W 900mm, 20W	Textured Black	3000K	Medium		
A	B	C	D	E	F	
EVO	0607	TB	30	M	-	
Product Family	Size & Power	Finish	CCT	Beam		
Evio Bollard Light (One Direction) Evio Bollard Light (Two Direction)	600mm, 7W 900mm, 7W 600mm, 20W 900mm, 20W	Textured Black	3000K	Medium		