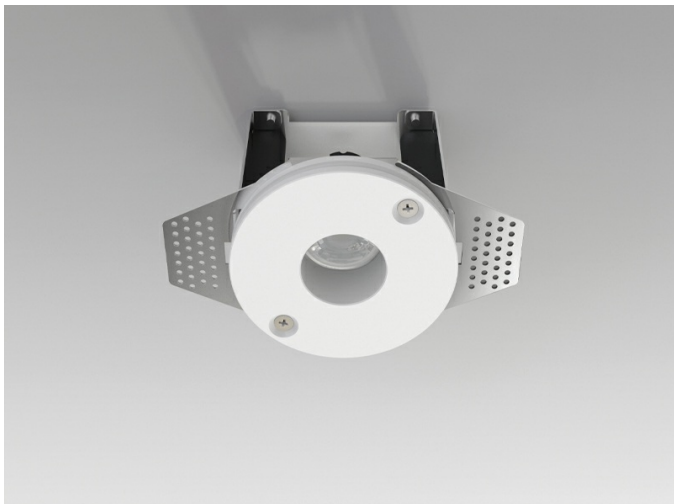



CLICK CLACK

Novelty
Enzo Panzeri 2019



Lighting fixture for ceiling built-in installation for interiors, with direct light emission.

Total built-in plaster structure for plasterboard.

Bulb push and pull mechanism.

Micro-perforated sheet metal brackets for plasterboard fixing.

Built-in hole dimension: \varnothing 100mm (\varnothing 3,9")


TECHNICAL DATA

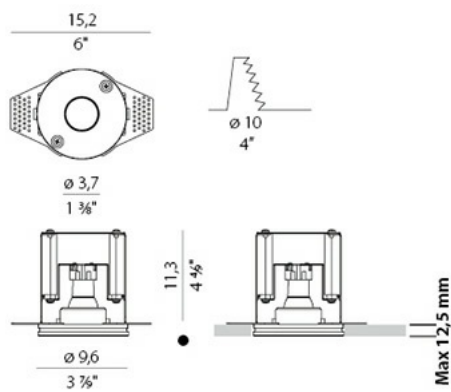

Code	XGR1212
System power consumption	max 6W
Light source	LED retrofit
Light source kit	not included
Compatible sources	LED retrofit bulb 4W GU10 \varnothing 35mm 3000K Ra80 330lm (no dimming)
Power supply	220-240V AC
Frequency	50/60Hz
Weight	0,4500Kg
Protection degree	IP20
Packing dimensions (cm)	13 x 24 x 12


COLOUR

plaster



POLAR DIAGRAM


TECHNICAL DRAWING




Novelty
Enzo Panzeri 2019

○ ACCESSORIES

XM5/GU10-35

MR11 Ø 35mm LED lamp GU10 4W 110-240V AC 3000K Ra>80 330lm 38°,
not dimmable.

LED retrofit | 4W | 3000K Ra>80

110-240V AC | 50/60Hz | Electrification ON-OFF
